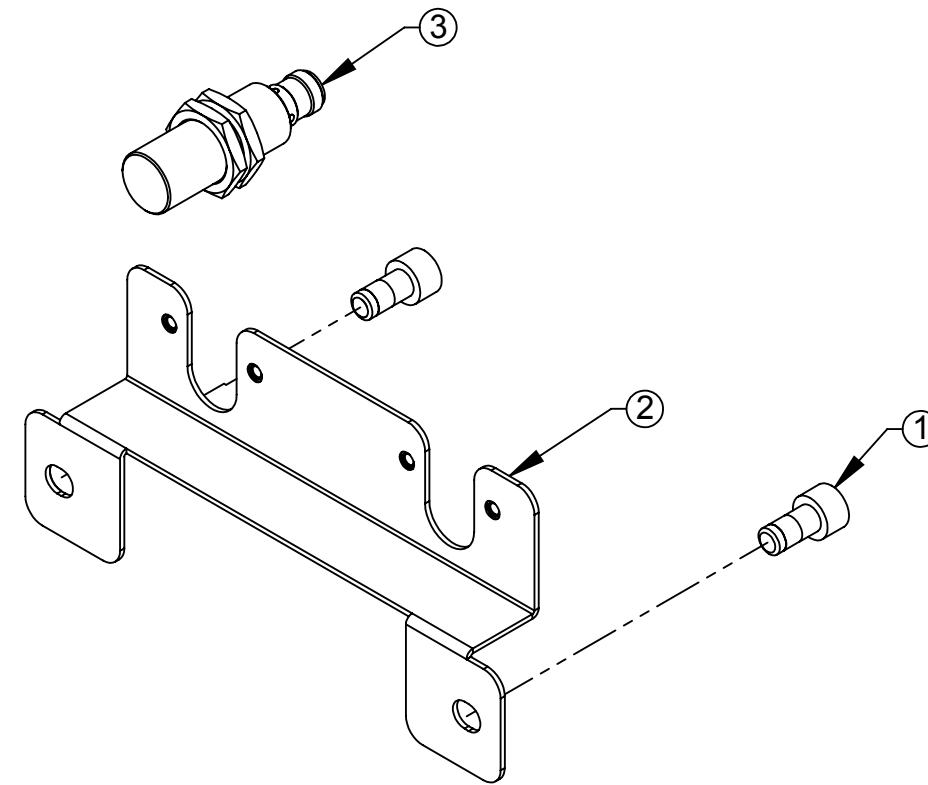
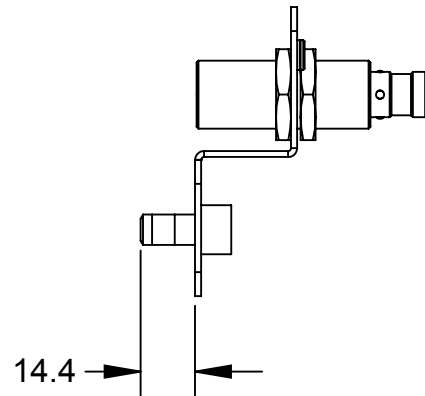
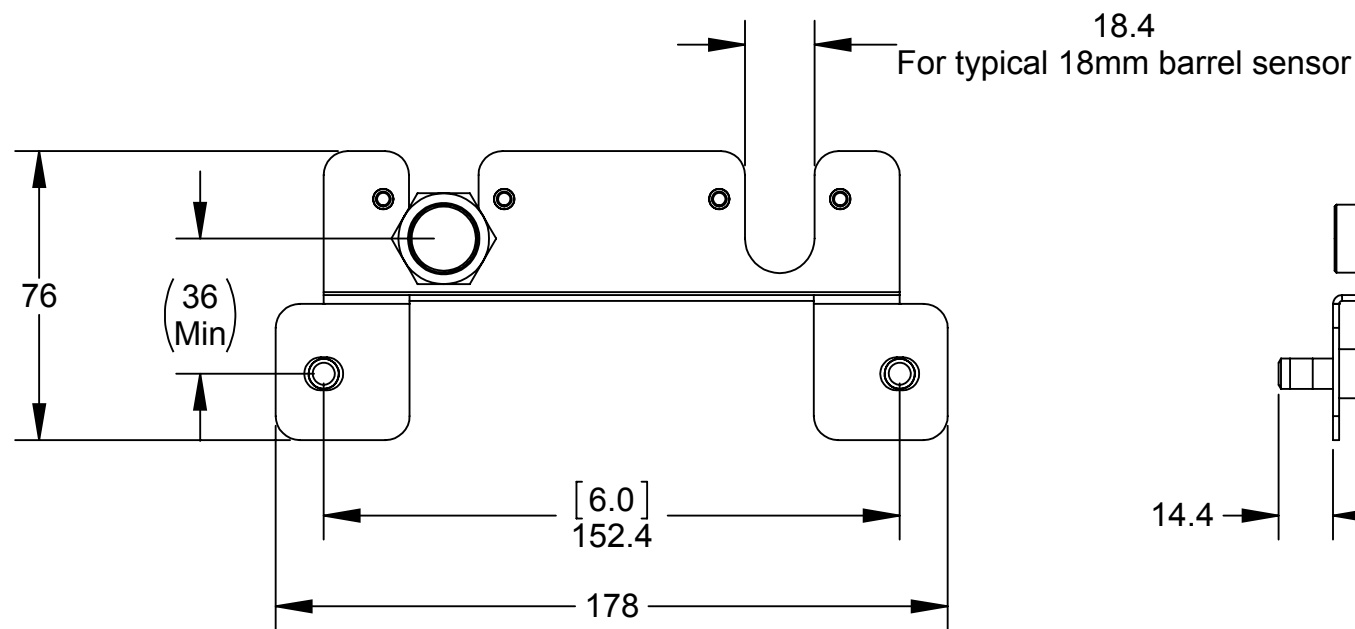


Rev.	Description	Initiator	Date
02	ECO 14221; Replaced 3700-20-8089 with 3700-20-9475	SZJ	3/30/2016



ITEM NO.	QTY.	PART NUMBER	DESCRIPTION
1	2	3500-1068016-15A	M8 x 16mm SHCS, Blue Dyed Magni-565 w/ ND Microspheres Epoxy
2	1	3700-20-9475	TSL SMA Bracket, SS, PEM Inserts
3	1	8590-9909999-92	Efactor Prox #IGW200 18mm Barrel 12mm Range, Shielded

NOTES: UNLESS OTHERWISE SPECIFIED.

DO NOT SCALE DRAWING. ALL DIMENSIONS ARE IN MILLIMETERS.



3rd ANGLE PROJECTION



1031 Goodworth Drive, Apex, NC 27539, USA
 Tel: +1.919.772.0115 Email: info@ati-ia.com
 Fax: +1.919.772.8259 www.ati-ia.com
 ISO 9001 Registered Company

PROPERTY OF ATI INDUSTRIAL AUTOMATION, INC. NOT TO BE REPRODUCED IN ANY MANNER EXCEPT ON ORDER OR WITH PRIOR WRITTEN AUTHORIZATION OF ATI.

DRAWN BY: J. Winterroth, 7/29/13

CHECKED BY: D. Norton, 7/29/13

TITLE

TSL Dual Sensor Module with Single Sensor Drawing

PROJECT # 130417-6 SHEET 1 OF 1

SCALE
1:2

SIZE
B

DRAWING NUMBER
9630-20-TSL-SMA-8090

REVISION
02